



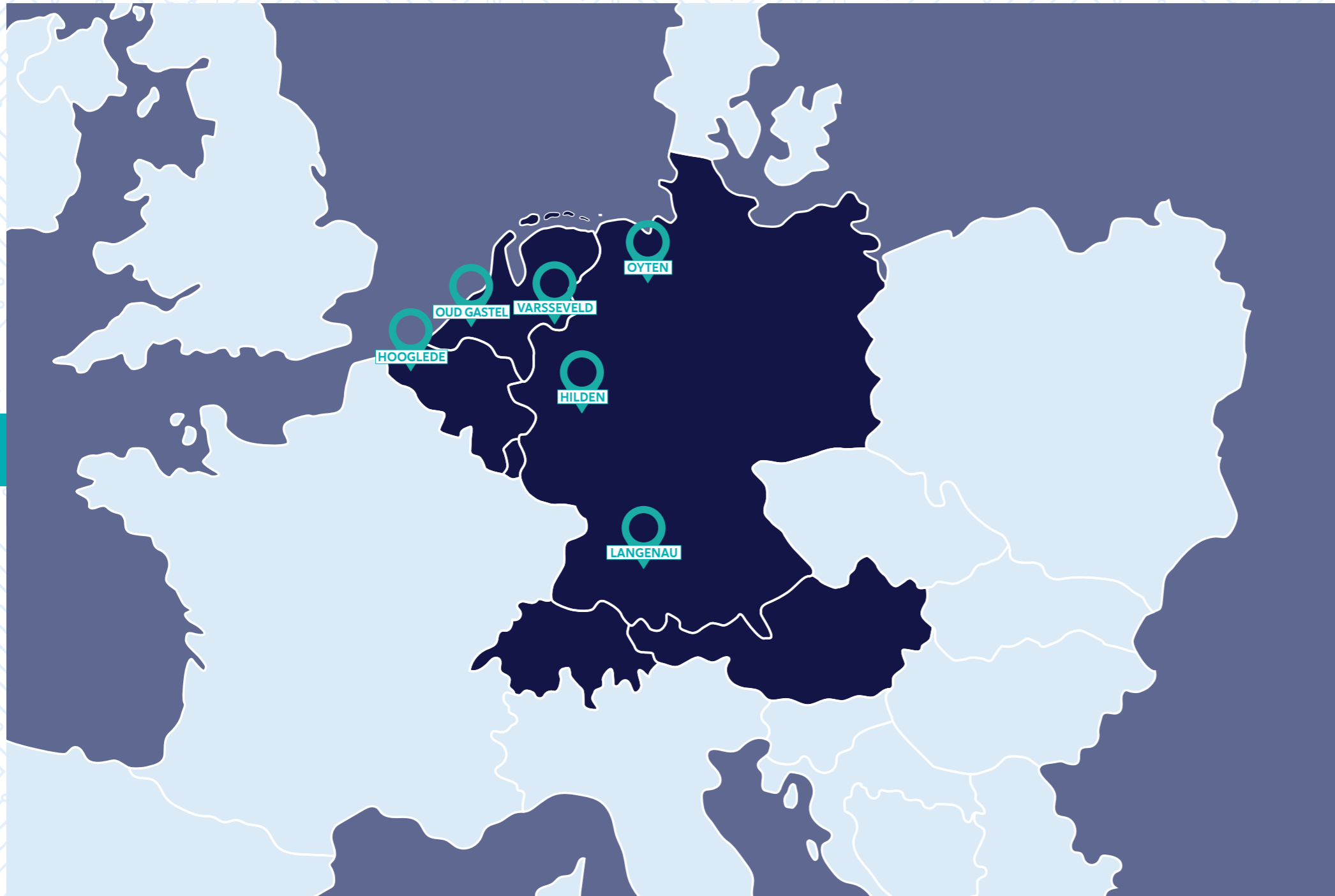
247 TAILOR STEEL
ON DEMAND. ON TIME.

**Custom-cut metal plates,
tubes and bent products online**

Digital control over the largest machine park for metalwork

We live in a world where speed and efficiency are becoming increasingly important. 247TailorSteel combines the power of digitization with the largest machine park for tailored metalwork. Your metal products can be ordered at any time. Through the online software Sophia®, your order is automatically forwarded to production. It will then be cut with high precision and, if desired, delivered within 48 hours. This ensures predictability for your customers and prevents downtime.





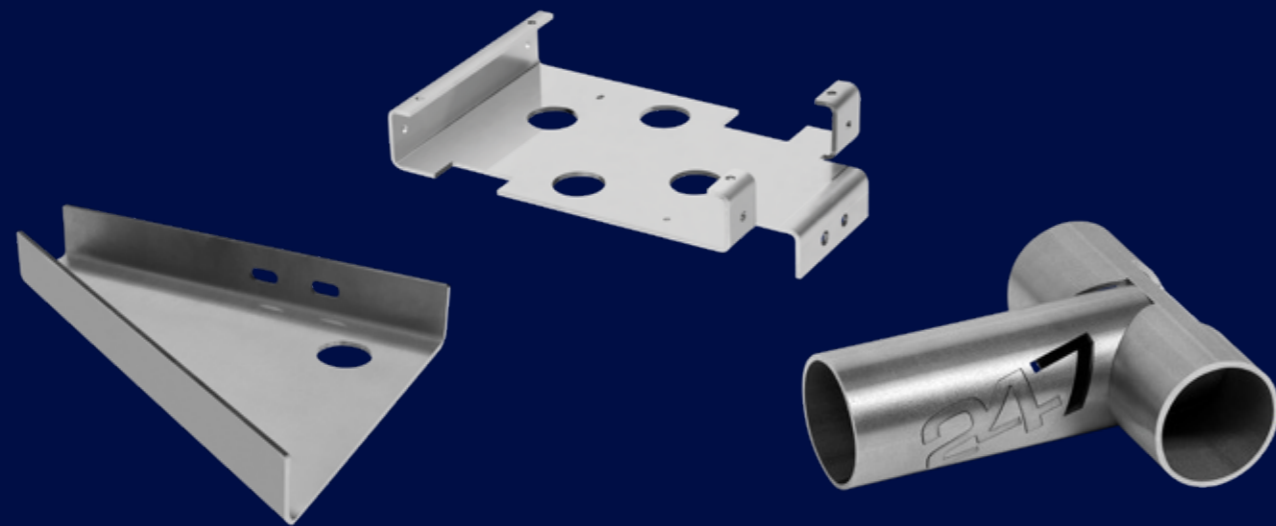
Your tailored metal solution in Europe and beyond

We are 247TailorSteel, market leader in the Netherlands and pioneer in custom-cut metal plates, tubes and bent products. From occasional orders to large scale projects, you can come to us for both small and large custom metal orders. We are currently operating from six factories in Europe and continue to pursue our goal of being located within 250 km of our customers. We are well on our way to becoming a leader in other European countries as well.

Wide selection of materials and machining processes

At 247TailorSteel, you have the largest machine park in Europe at your disposal day and night with over 150 flatbed lasers, tube lasers, bending machines and edge finishing machines. Regardless of the size or complexity of your order, we always have capacity available. Moreover, you can choose from more than 50 types of material, such as steel, stainless steel, aluminium and brass.

6



Laser cutting

The latest generation of laser cutting machinery is at your disposal, enabling you to transform your idea into reality. From prototyping to large scale production. Keep control of your order and track it in Sophia®. Your order will be delivered to you within 48 hours, if desired.



Tube laser cutting

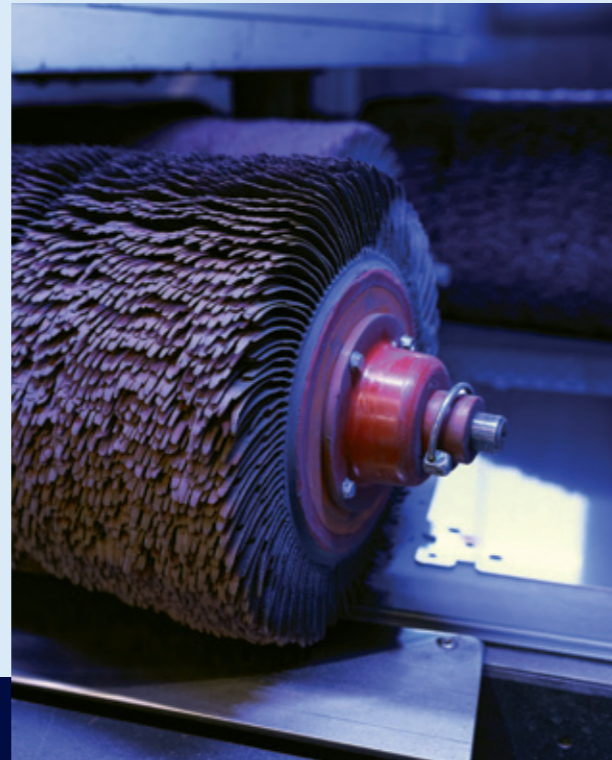
Processing metres of tubing into the perfect component? That belongs to the past. At 247TailorSteel, you order only what you need. Including the desired holes and notches! Your tubes are immediately usable as parts of the whole.

7



Bending

You easily order your product in one order in the size and shape you desire. To minimize the margin of error, our bending machines are automatically set to suit your specifications. Skilled employees check the product and hand it over to shipping.



Edge finishing

The finishing touch to your order: edge finishing. Have one or both sides of the product finished with one of our edge finishing machines. The product is given a honed appearance and stripped of any burrs. Perfect for your sight object.



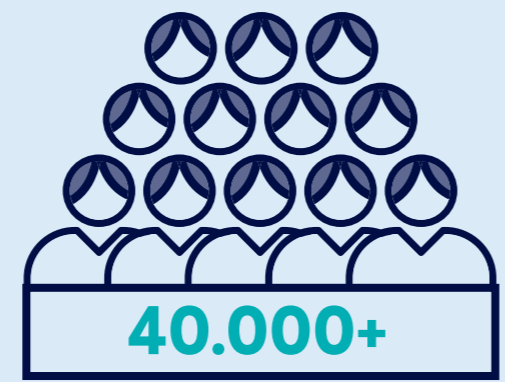
Having the most advanced laser cutting machines and bending machines at your disposal with a single mouse click.”

Jansen Metal Products



247TailorSteel at a glance

247TailorSteel is your partner in custom-cut metal plates, tubes and bent products. Since 2007 we have been at your service day and night for the perfect semi-finished metal parts.



CUSTOMERS



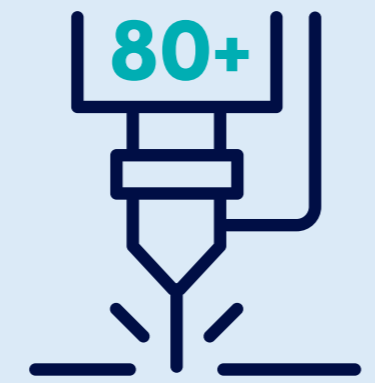
LOCATIONS



LOCATIONS SURFACE



We process more than 50.000 tons of metal per year and cut more than 2.500 km of tubes.”



LASER CUTTING MACHINES



BENDING MACHINES



EMPLOYEES



Sophia®, the online software of 247TailorSteel, is fast and easy to use, providing optimal ordering convenience 24 hours a day!”

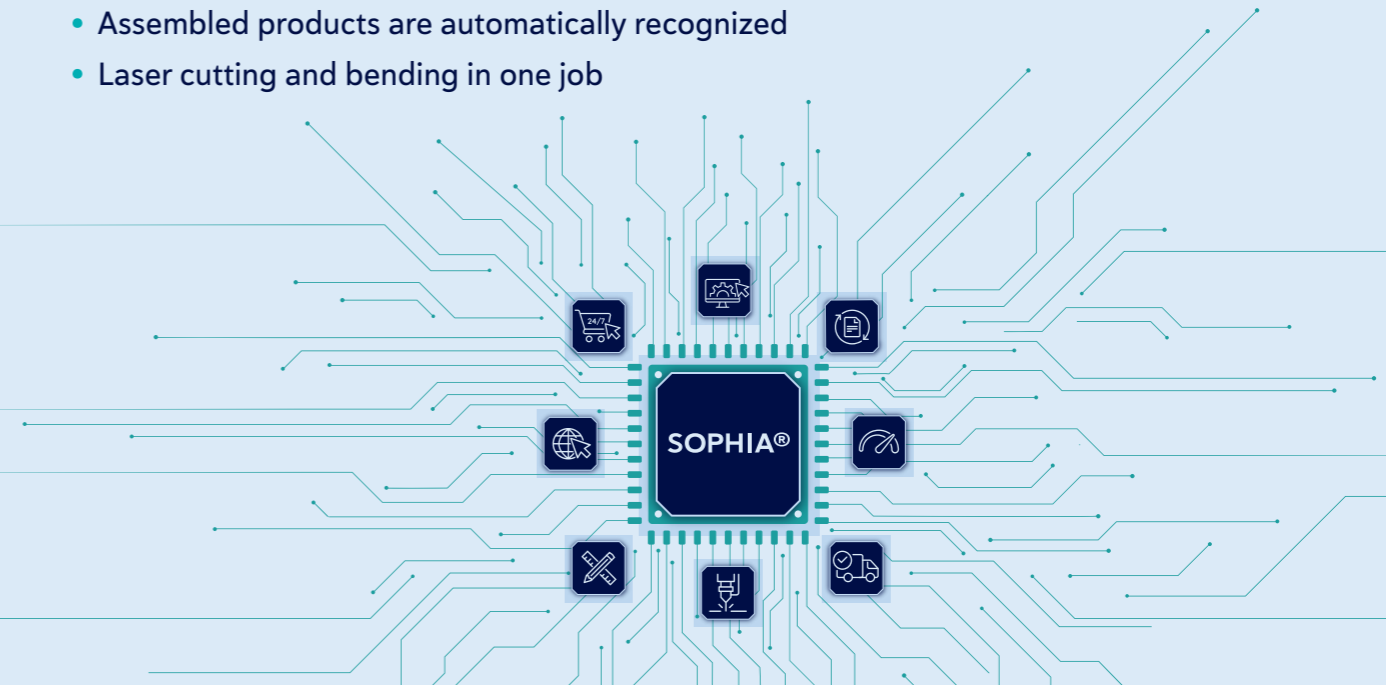
Albar Industrie



Digital and automated working is smarter working

Sophia®, the online software of 247TailorSteel, generates automated quotes and interacts directly with the smart factory. This gives you full control over your order, from drawing to finished product. This intelligent and user-friendly software analyses your assembly drawing and provides instant cost insight.

- Directly accessible through URL: sophia.247tailorsteel.com
- Usable on all PC's and laptops
- Upload files in STEP, DXF, DWG and TUB formats
- Assembled products are automatically recognized
- Laser cutting and bending in one job



Proven guarantees

On-time delivery of materials is essential for your production process. That's why 247TailorSteel delivers within 48 hours. To achieve such short delivery times, we are expanding rapidly and investing in our own logistics fleet. With the largest machine park in our industry, we always have sufficient capacity for your order. Regardless of size and complexity.



24/7 Online ordering



Quote in less than 1 minute



99.7% delivery reliability



Delivery within 48 hours



Flexible quantities starting from 1 piece



Quality customization





We are bringing the future to the present

247TailorSteel makes the most of combining digitization and automation in the metal industry. The founder of 247TailorSteel saw the potential of a smart factory early on and took steps to bring the future to the present. Industry 4.0 is therefore woven into our DNA. The production facilities contain state-of-the-art machinery consisting of individual machines that maximise efficiency and time saving by communicating with each other as well as with the order system, AGVs (Automated Guided Vehicles) and lifting equipment.

Sustainable impact: Our commitment to a greener world

We are conscious of the impact of our machinery on people and the environment, and keep our footprint as small as possible. We use solar panels to generate part of our energy, air is cooled by climate control and our employees operate in a clean and safe work environment. We produce as little residual waste as possible by nesting products on a plate and by planning the routes of our own trucks as efficiently as possible.



“

Wij houden onze
voetafdruk zo klein
mogelijk.”

247TailorSteel Nederland B.V.

Markenweg 11
7051 HS Varsseveld
The Netherlands

247TailorSteel Nederland Zuid B.V.

Rietschotten 9
4751 XN Oud Gastel
The Netherlands

247TailorSteel België B.V.

Roger Deceuninckstraat 8
8830 Hooglede
Belgium

247TailorSteel Deutschland GmbH

Carl-Zeiss-Straße 22
89129 Langenau
Germany

247TailorSteel Nord GmbH

Margarete-Steiff-Straße 13
28876 Oyten
Germany

247TailorSteel West GmbH

Giesenheide 49
40724 Hilden
Germany

WWW.247TAILORSTEEL.COM

**247 TAILOR
STEEL**
ON DEMAND. ON TIME.